

ANTI-THEFT CLAMPS

For Chance® Instant Foundations®



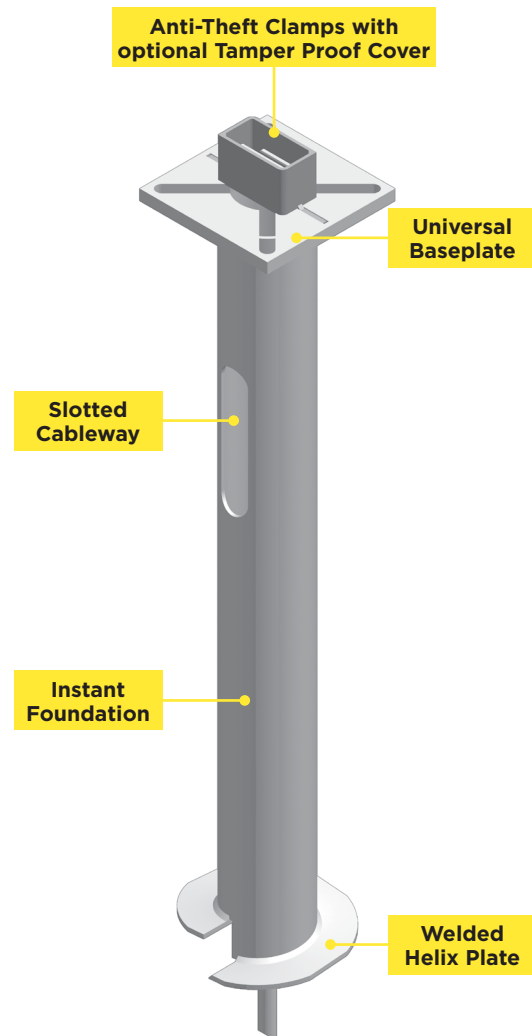
THE SECURITY IS IN ITS SIMPLICITY

Wire theft has become a billion-dollar, nationwide problem. Stolen wire is sold to scrap metal dealers. Interestingly, the price of the copper itself fails to compare with the cost of replacement. Foundations must be removed, and depending on the type, re-built. Conductor must be reinstalled and connected. The time and material cost can be overwhelming to municipalities. An additional cost of wire theft comes at the expense of public safety due to dysfunctional roadway and public lighting.

PREVENT WIRE THEFT

Chance® Anti-Theft Clamps are designed to stop thieves in their tracks, protecting both the public and private sectors from the high cost and intrinsic dangers of wire theft.

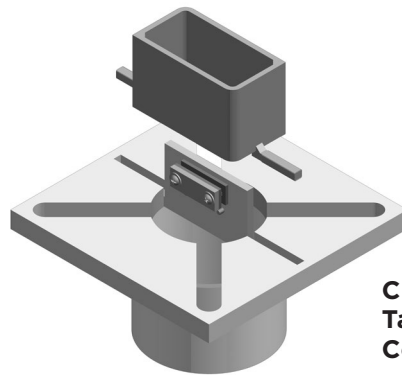
The concept is simple. A Chance Instant Foundation is screwed into the ground. An Anti-Theft Clamp is attached to the baseplate before the pole is mounted. Wire is secured by a clamping mechanism which prevents it from being pulled out of the ground through the baseplate.



BE PREPARED AND BE PROTECTED.

FULL ANTI-THEFT FOUNDATION

Full Instant Foundation® with baseplate slots for drop-in clamping system. Tamper proof cover is included. Contact your local Chance Lighting Agent for additional product options and sizes.

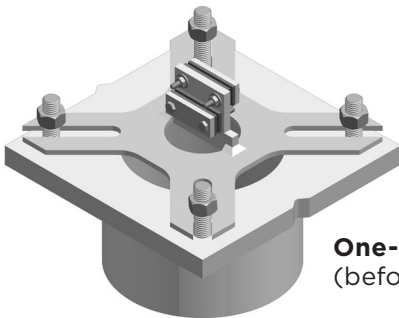


Clamp with Tamper-Proof Cover

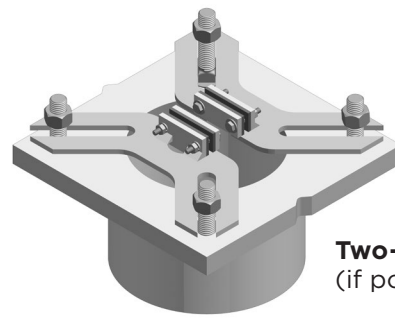
Catalog No.	Pipe Dia.	Foundation Length	Helix Dia.	Bolt Patterns
C11232JG4VLATKC	6.625" OD	5'	14"	9" - 14"
C11242NG4VPATKC	8.625" OD	5'	14"	11" - 17"

RETROFIT CLAMPING ASSEMBLY

To be added to existing lighting foundations (concrete and steel). Choose One-Piece Assembly if pole has not been mounted. If pole is mounted, the Two-Piece Assembly offers two half plates for installation without completely removing existing pole and disconnecting wires.



One-Piece Assembly
(before pole mounting)



Two-Piece Assembly
(if pole already set)

Catalog No.	Plate Size	Bolt Patterns	Min. Pole Baseplate Id	Foundation Hardware Size	Assembly Type
C1122956	12"	9" - 14"	5.5"	3/4" or 1"	One-Piece with cover
C1121646	15"	11" - 17"	5.63"	3/4" or 1"	One-piece with cover
C1121303	15.75"	8" - 14"	No box	3/4"	Two-Piece

www.chancefoundationsolutions.com

Chance Foundation Solutions |  A Hubbell brand

210 North Allen Street | Centralia, Missouri 65240 | United States of America | civilconstruction@hubbell.com

Because Hubbell has a policy of continuous product improvement, we reserve the right to change design and specifications without notice.